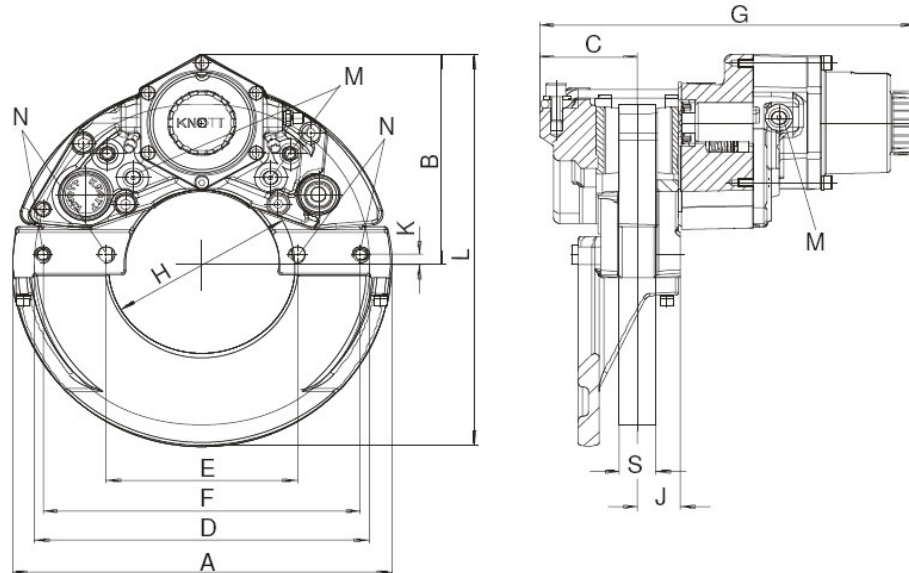


2x72 Hydraulic Floating Caliper With Integrated SAHR Parking



data for hydro service brake:

perm. pressure range: Pabs = 200 mbar to Pe = 140 bar
 perm. temperature range: -40°C to 120°C
 brake fluid: (M) for mineraloil ref. DIN 51525
 perm. brake disc diameter: 316 mm
 brake lining: (B) Beral 3422

data for parking brake:

perm. release pressure: 120 bar
 max. stroke for wear adjuster: 35 mm
 brake fluid: (M) for mineraloil ref. DIN 51525
 perm. brake disc diameter: 316 mm
 brake lining: (B) Beral 3422

art. no.	name	max. dyn. brake torque (Nm)	max. stat. brake torque SAHR-C. (Nm)	brake fluid	brake lining	disc										M	N				
						eff. disc radius service brake	eff. disc radius parking brake	D	S	A	B	C	E	F	G			H	J	K	L
101110.01	HGS2x72F	9987	3100	M	B	123.00	140.00	316.00	34.00	358	208	93	180	300	356	176	40	10	387	M 14x1,5	M 16
100597.01	HGS2x72	9987	-	M	B	123.00	-	316.00	34.00	358	179	93	180	300	231	176	40	10	359	M 14x1,5	M 16
101717.01	HGS2x72F	9987	3100	M	B	123.00	140.00	316.00	34.00	358	208	93	180	300	356	176	40	10	387	M 14x1,5	M 16
101718.01	HGS2x72	9987	-	M	B	123.00	-	316.00	34.00	358	179	93	180	300	231	176	40	10	359	M 14x1,5	M 16

special types

100597.01 and 101718.01 without Spring Applied Released Parking Brake

