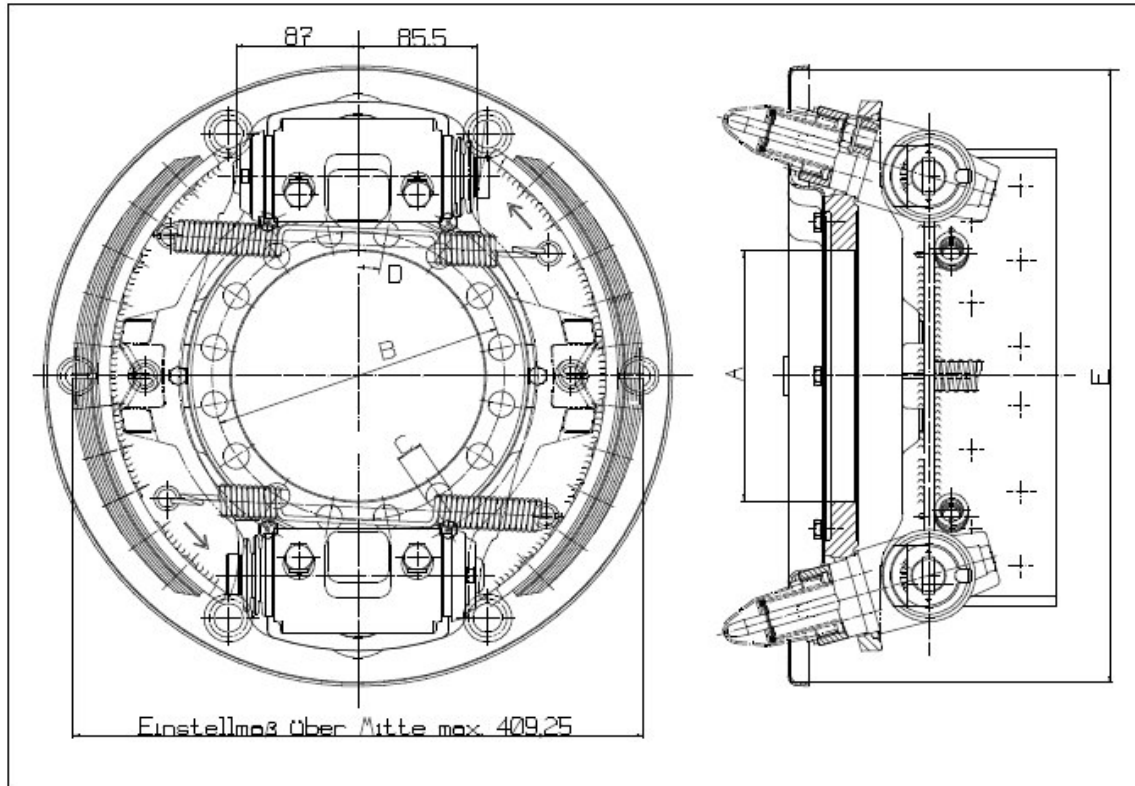


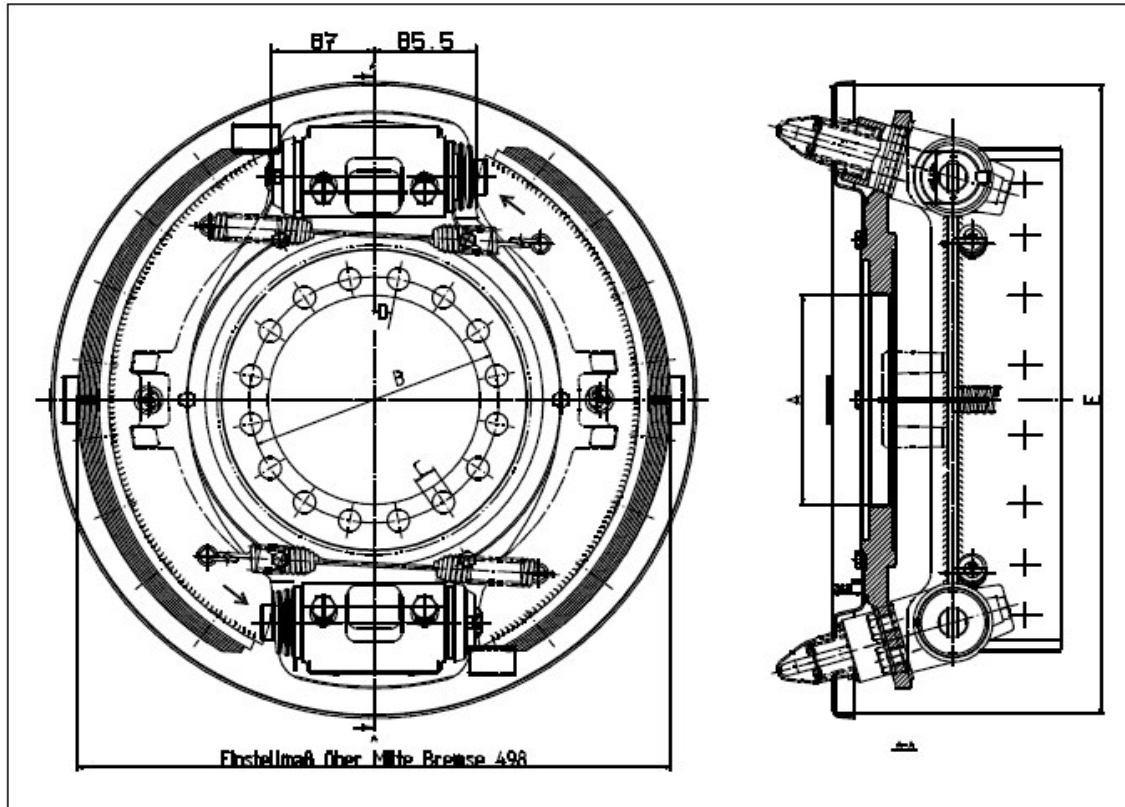
Wedge Brake Duplex 410x180



Special types
on request

Drawing no.	lining-quality	A	B	C	number of holes	D	E	max. brake torque (Nm)
0158.01/02	Bremkerl 6275	182	210	18,25	16	11°15'	446	20 000
0158.03/04	Beral 1549	182	210	18,25	16	11°15'	446	20 000
100697.01/02	Beral 1549	182	210	18,25	16	11°15'	446	20 000
100697.03/04	Bremkerl 6275	182	210	18,25	16	11°15'	446	20 000

Wedge Brake Duplex 500x180



Special types
on request

Drawing no.	lining-quality	A	B	C	number of holes	D	E	max. brake torque (Nm)
063	Bremskerl 6275	182	210	16,75	15	22°30'	537	40 000
0135	Bremskerl 6275	179	210	18,25	16	11°15'	537	40 000
0166.01/.02	Bremskerl 6275	179	210	18,25	16	11°15'	537	40 000
0166.03/.04	Beral 1549	179	210	18,25	16	11°15'	537	40 000
0215	Bremskerl 6275	208	245	22,75	20	18°	537	40 000